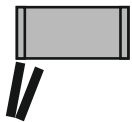
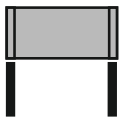


6x34 16x T01	Ø15 16x D15	3,5x16 16x S01	7x50 6x E01	4MM 1x K4	8x30 16x W-30	1,6x25 54x G01	2x ST01
76x32 2x O01	2x B01	4x P01	100x20 2x P03	Ø15 20x Z06	Ø18 16x Z07	Ø40 3x Z08	



3,5x16 16x S01	1x WL01	1x WL02	4x WL03	4x16 10x S03
4x PN01	6,3*12,5 26x WL05	1x WL06	4x WL04	2x WL07



3,5x16 32x S01	8x PN01
-----------------------------	-------------------

L=1100 1x RP04	3,5x16 6x S01
-----------------------------	----------------------------

L=573 L=773 L=973 1x SH01	L=2091 1x SP01	L=574 L=774 L=974 1x NV05	L=574 L=774 L=974 1x NN05
--	-----------------------------	--	--

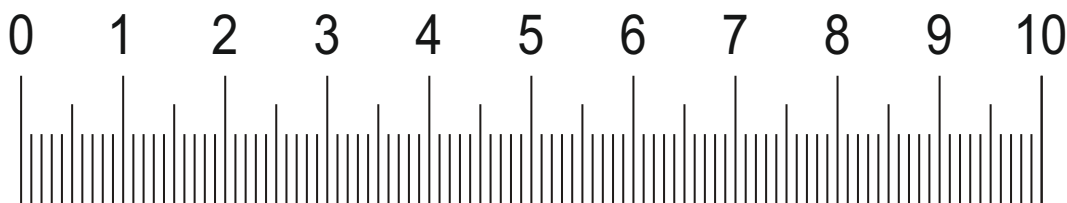
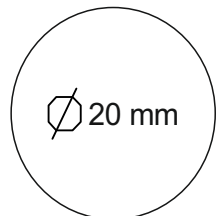
Ø 5 mm



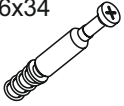


Ø 15 mm

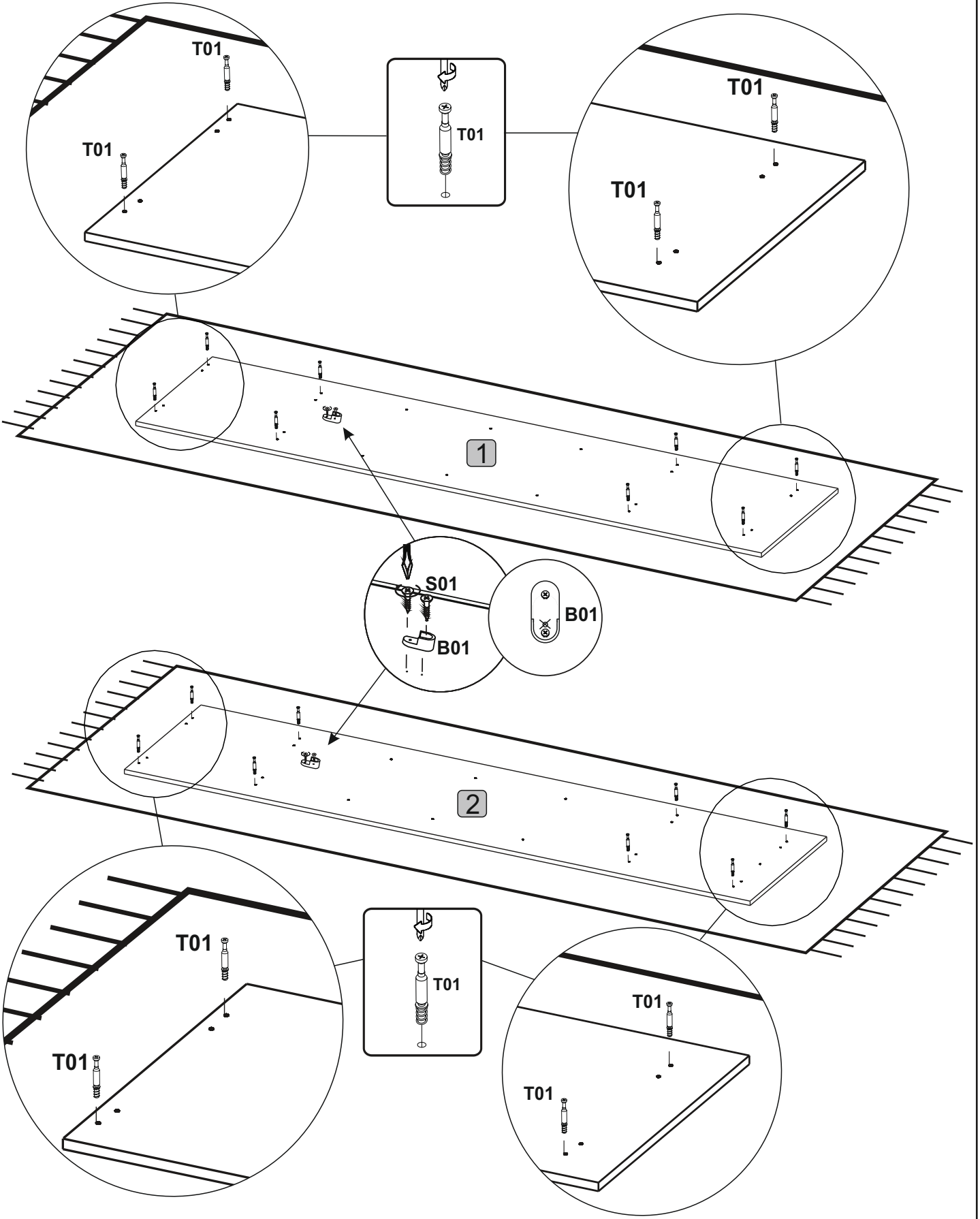


Ø 20 mm

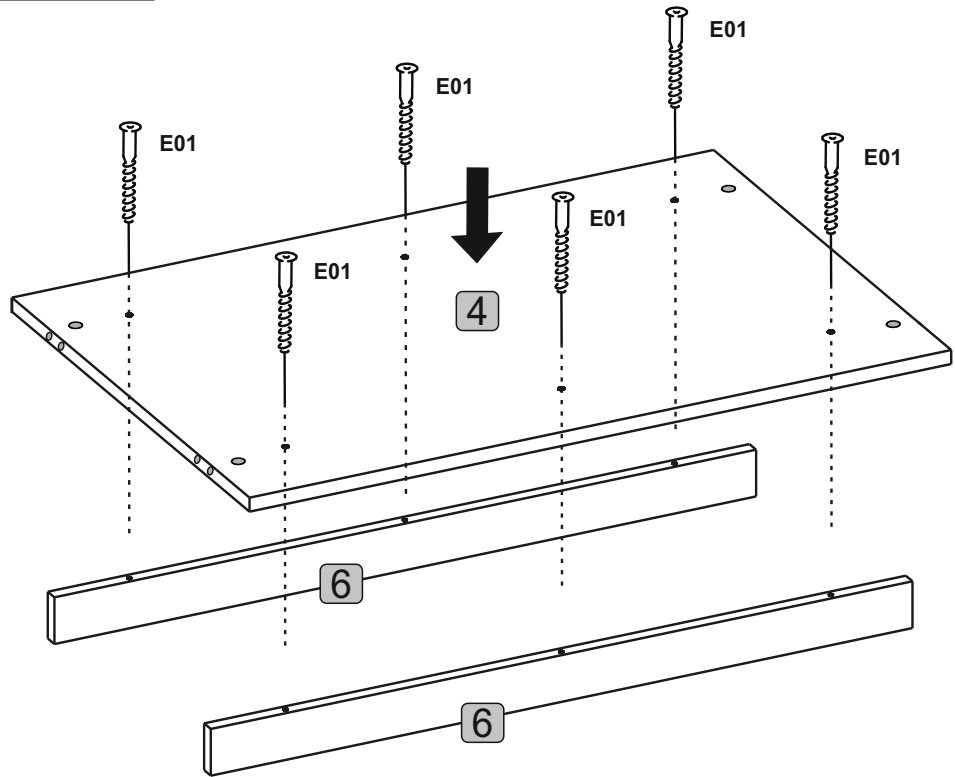
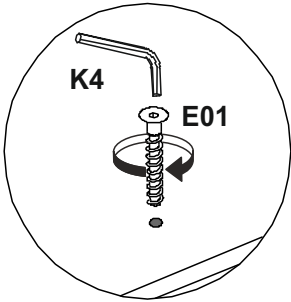
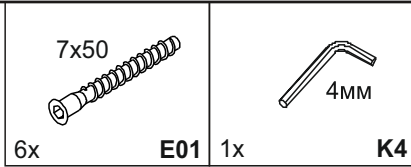


1

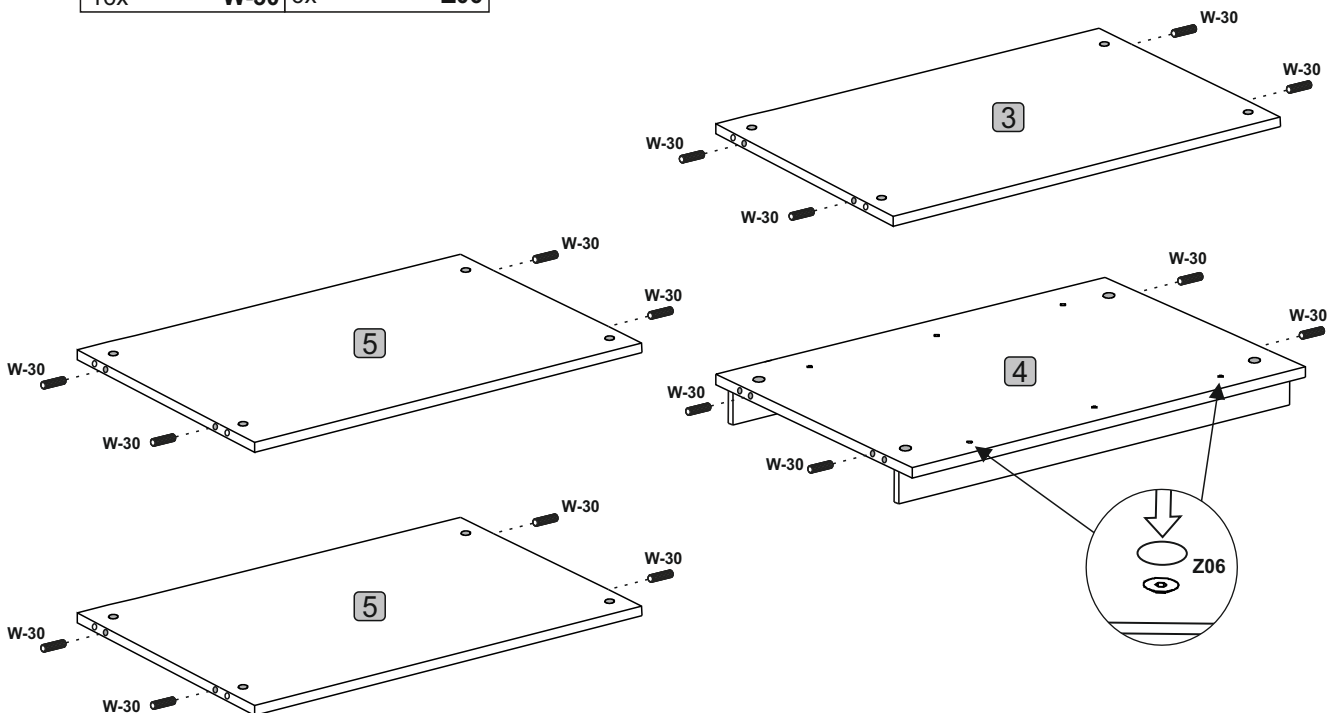
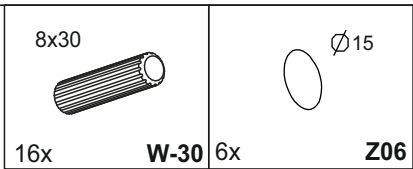
6x34  16x	T01	4x	3,5x16  S01	2x	 B01
--	-----	----	--	----	--



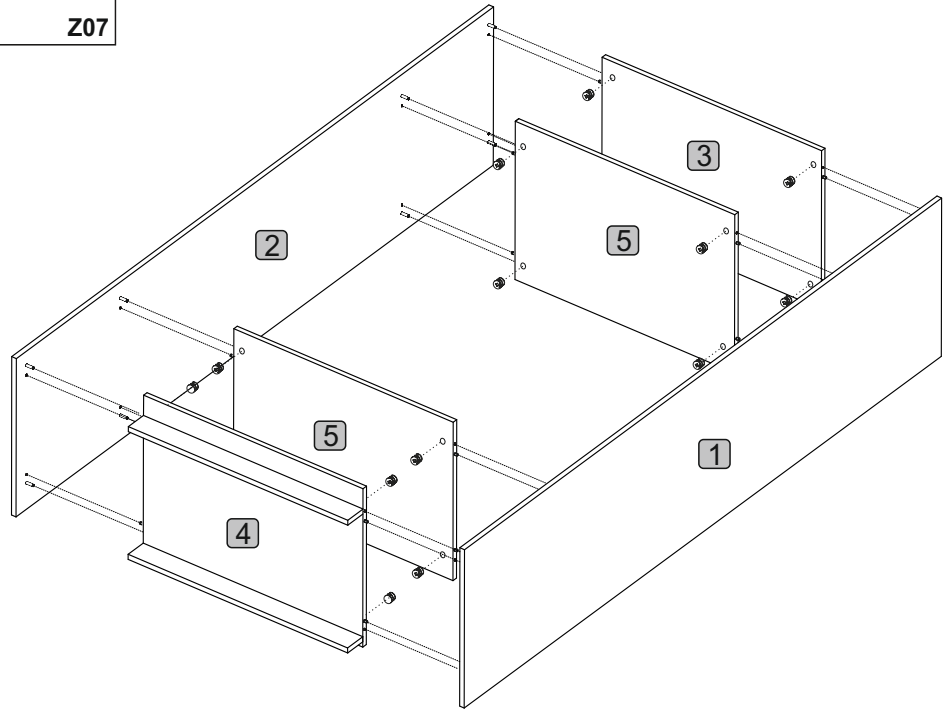
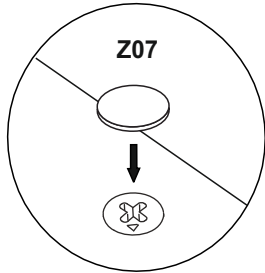
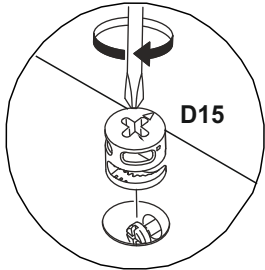
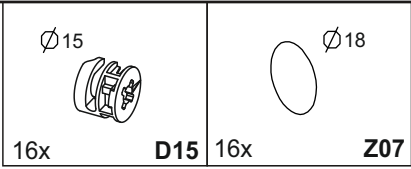
2



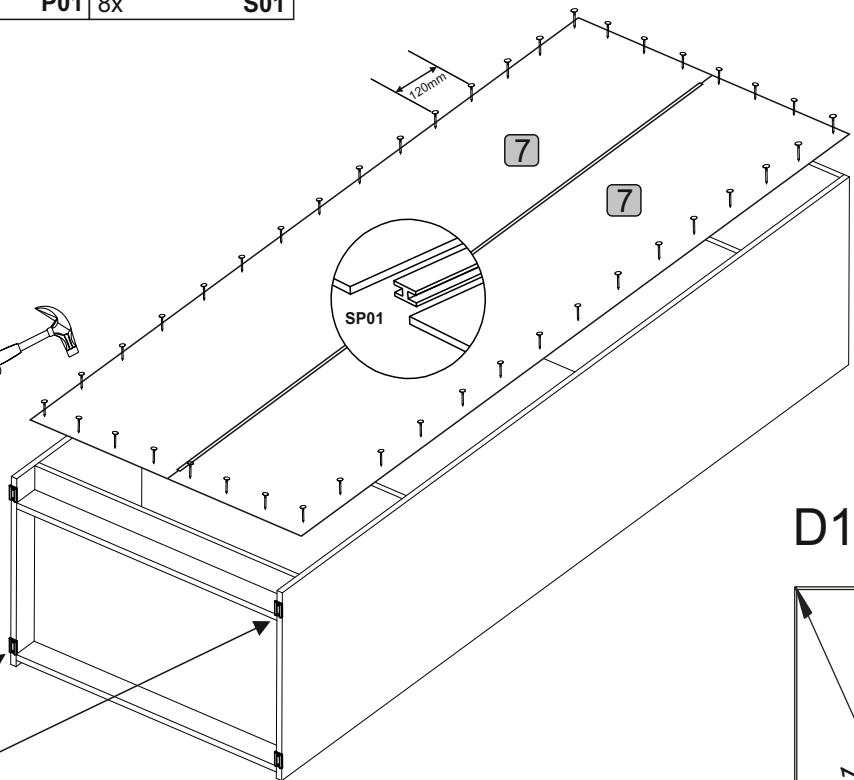
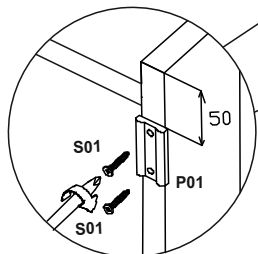
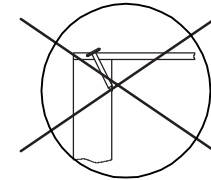
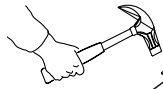
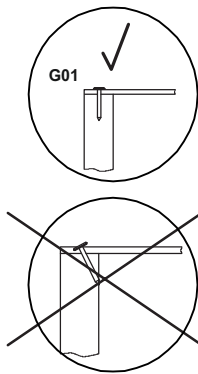
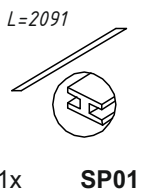
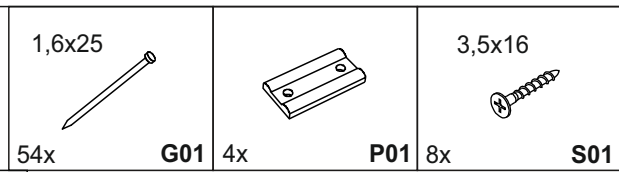
3



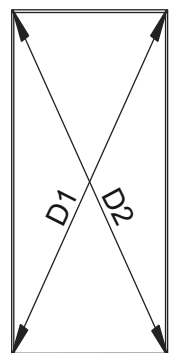
4



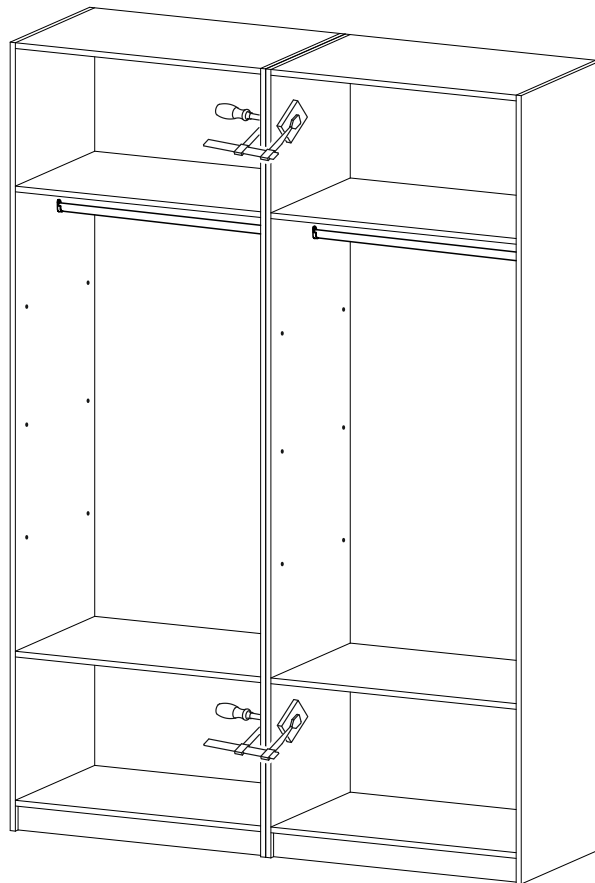
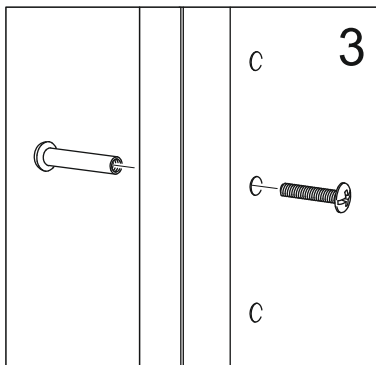
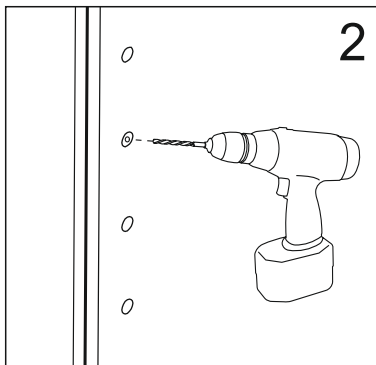
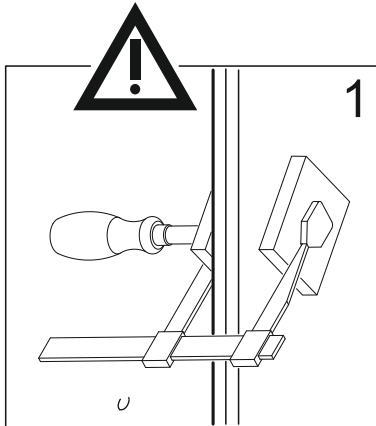
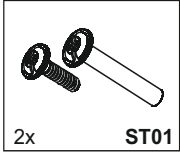
5

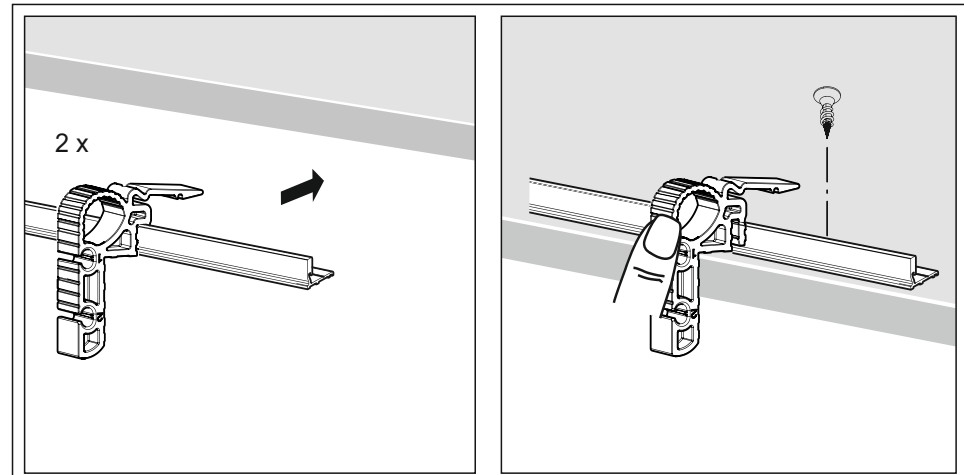
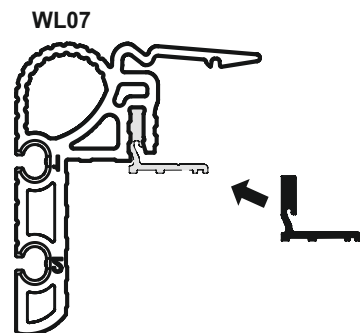
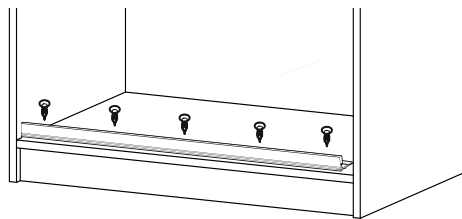
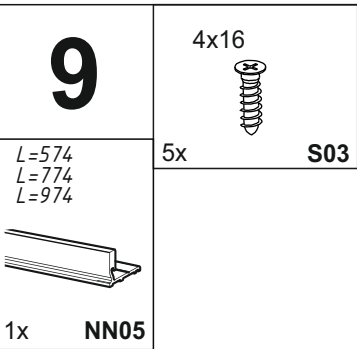
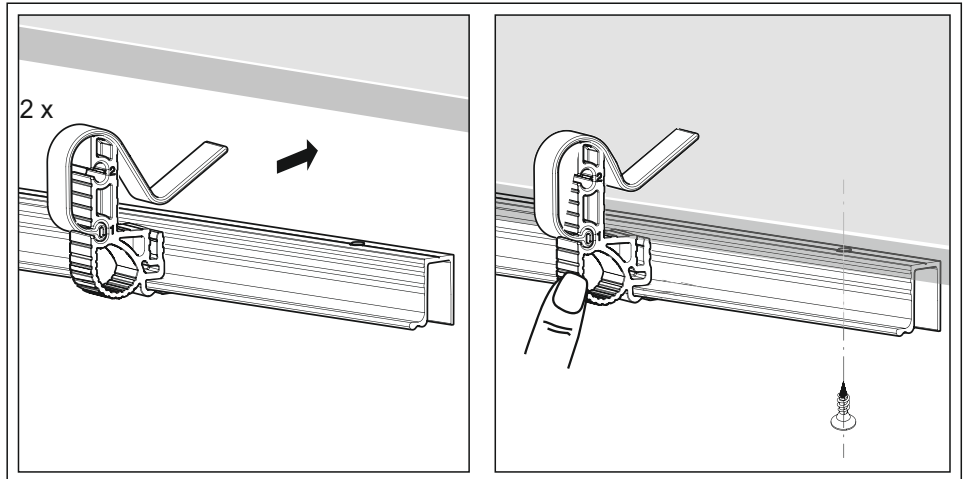
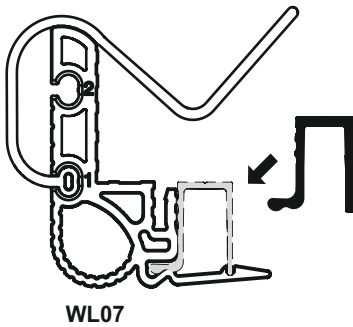
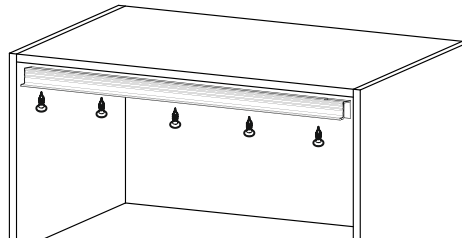
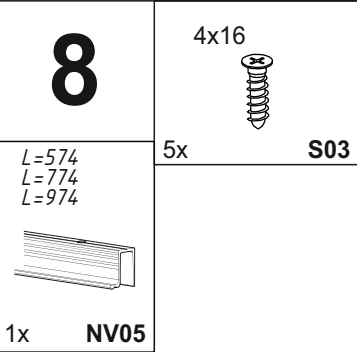
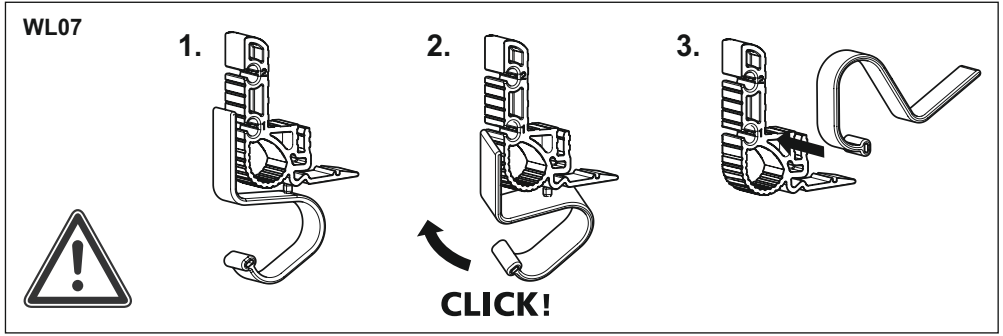
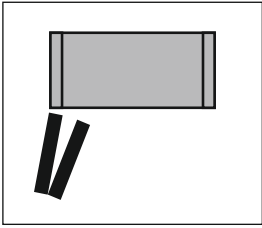


D1=D2


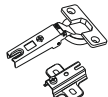

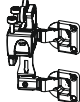









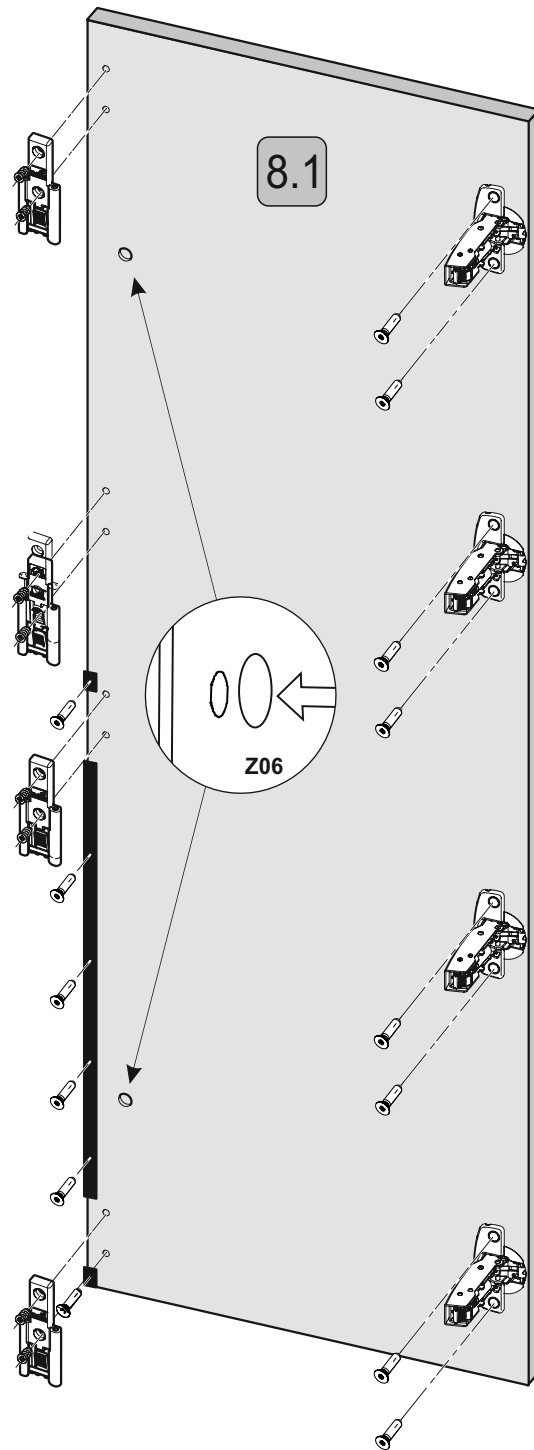
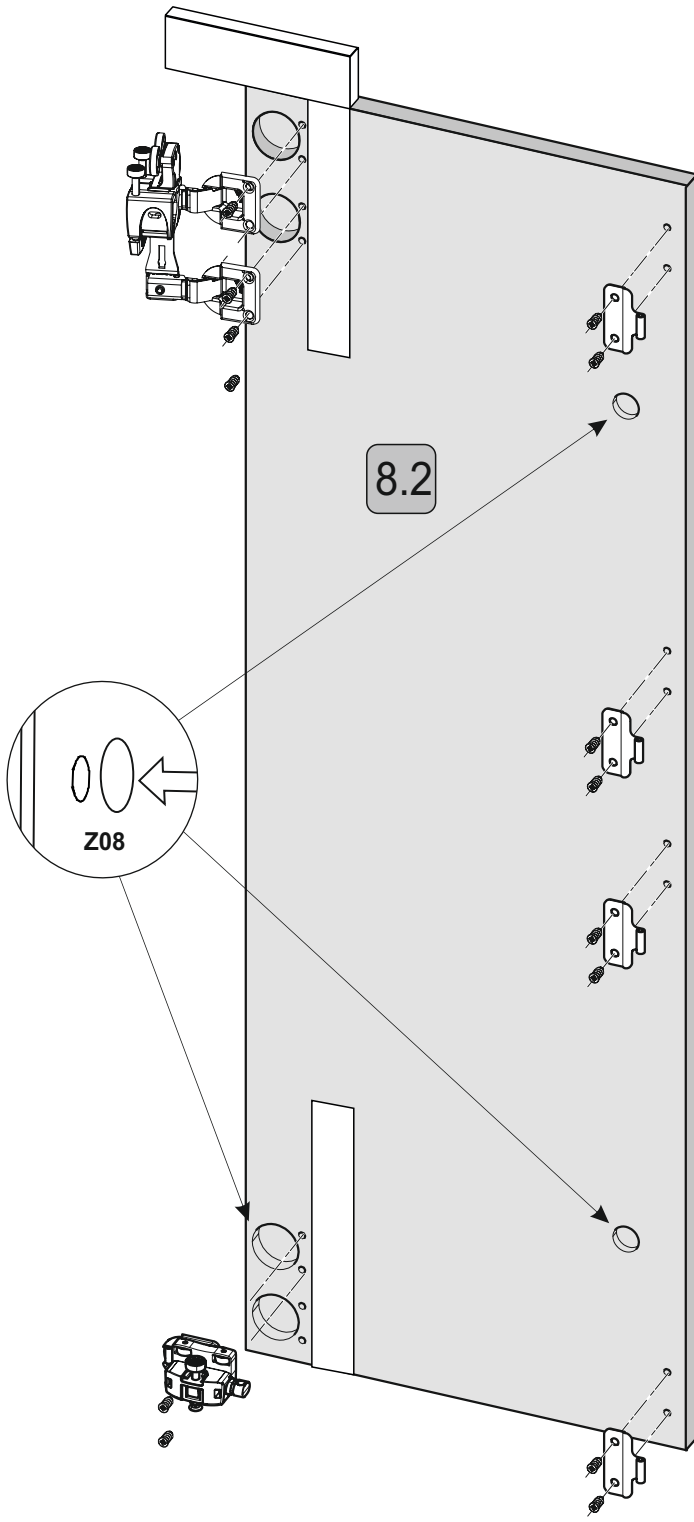
7




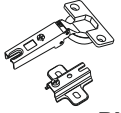


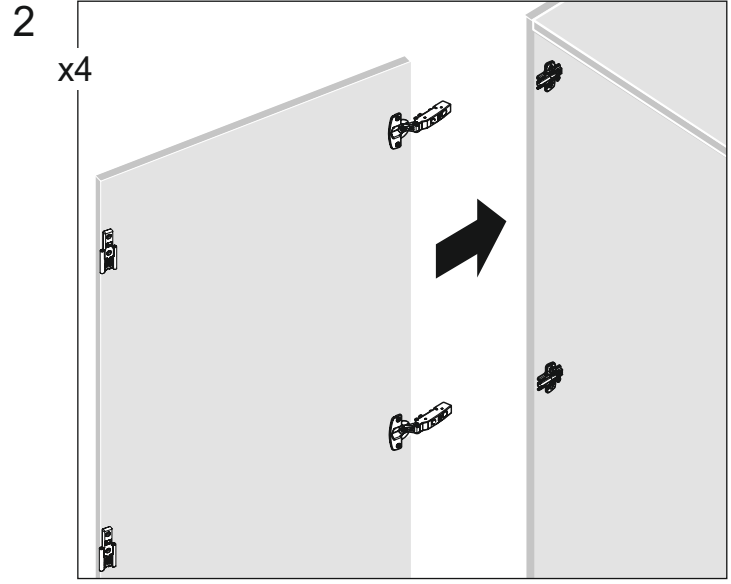
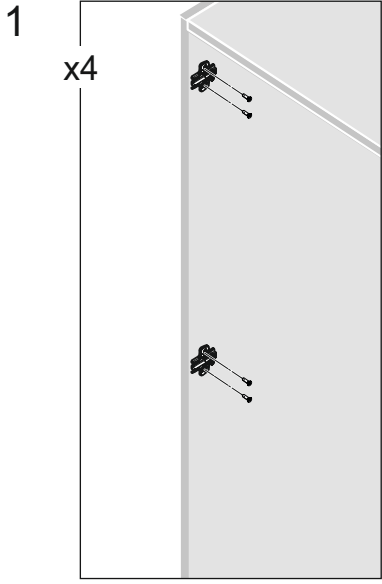
10

3,5x16  14x	 4x	L=1100  1x	 1x	 1x	 4x
	 2x	 3x	6,3*12,5  26x	 1x	 4x



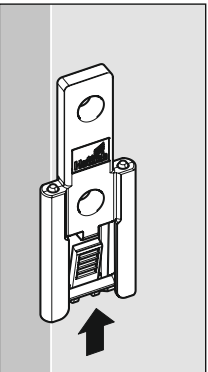
11

3,5x16		
8x	S01	4x PN01

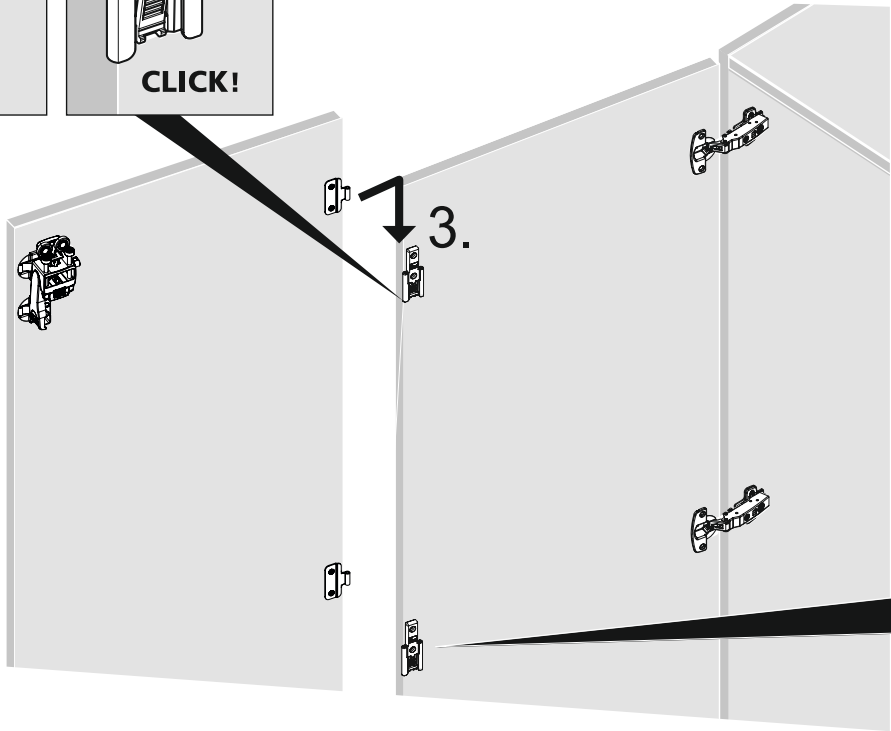
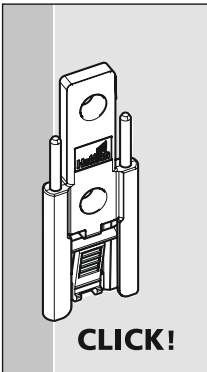


12

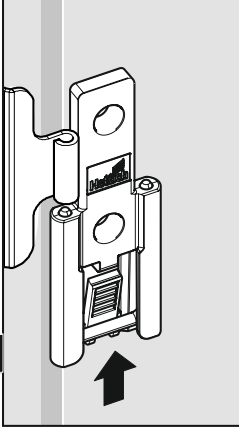
1.



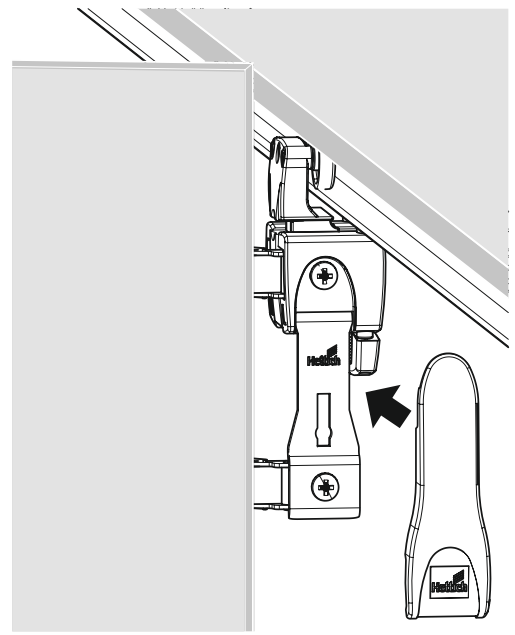
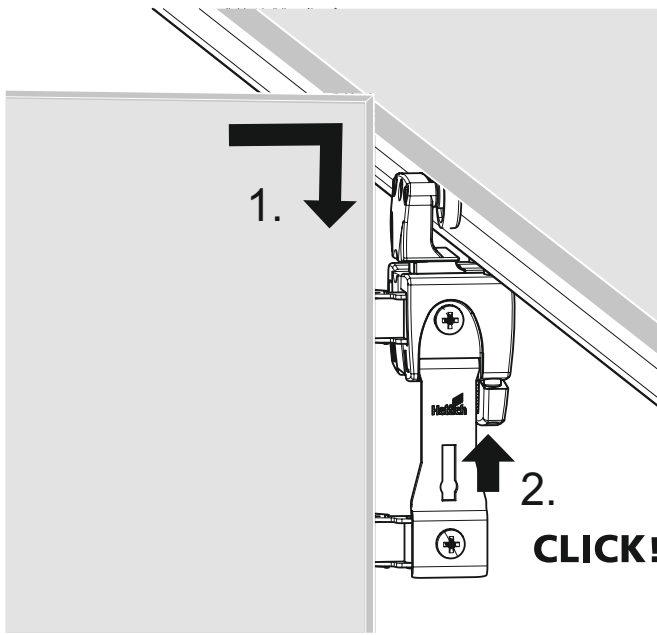
2.



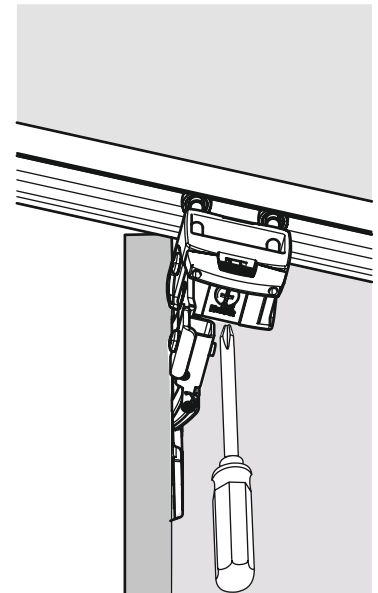
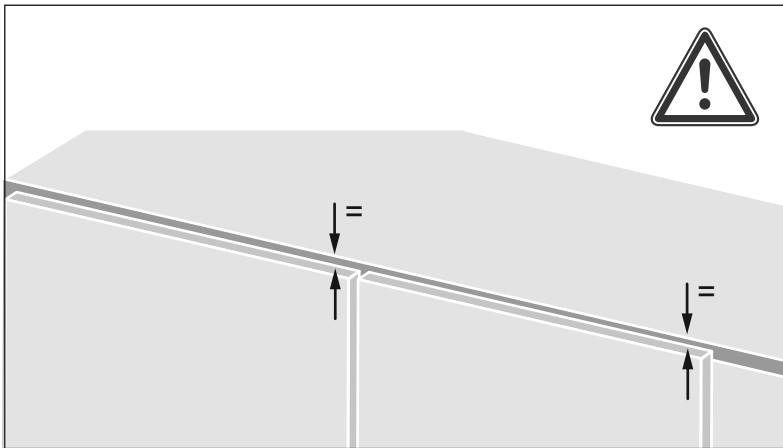
4.



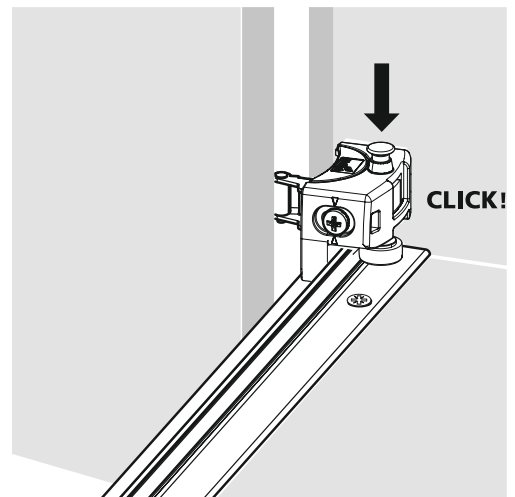
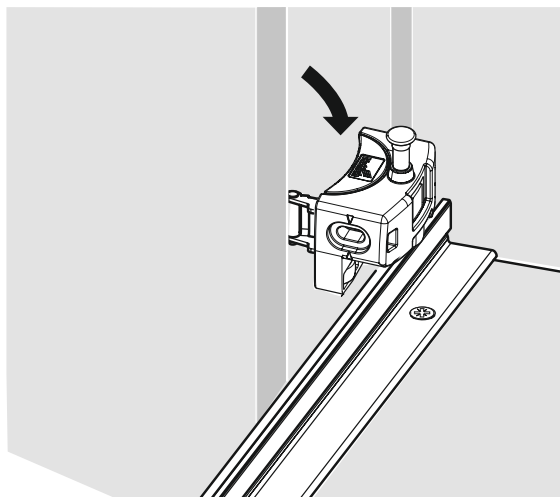
13





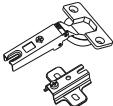
14

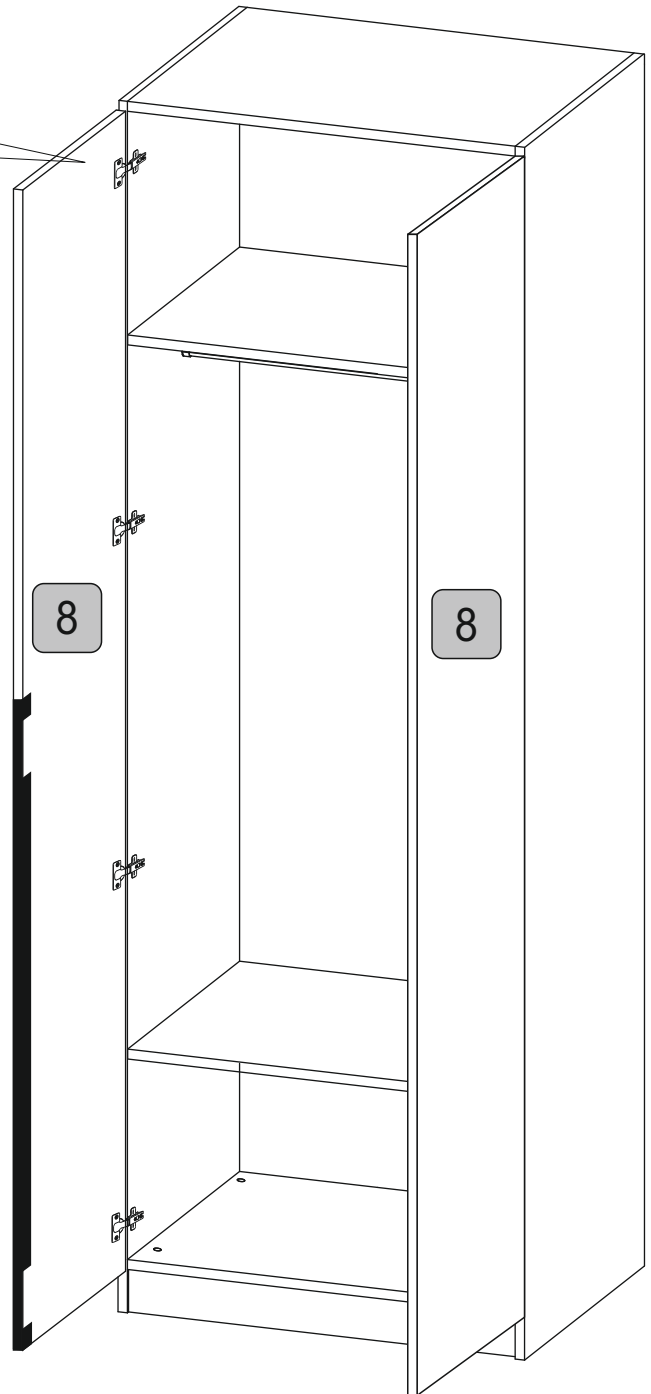
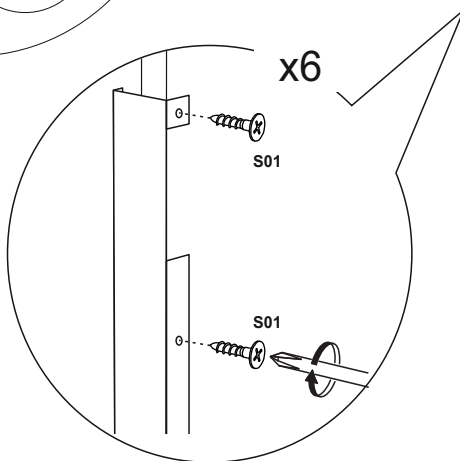
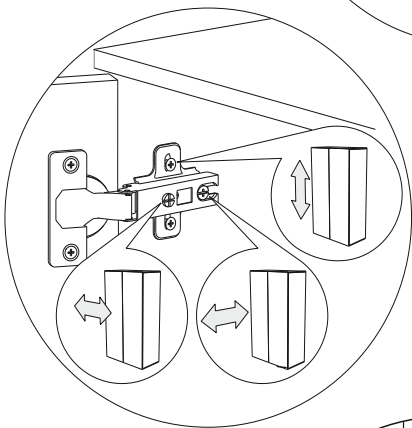
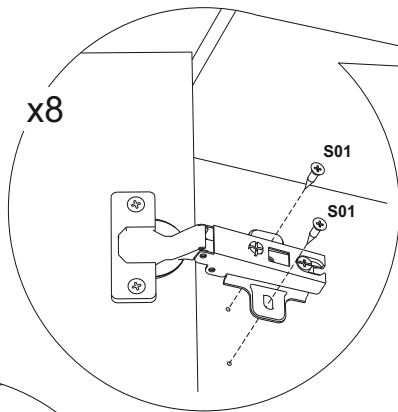
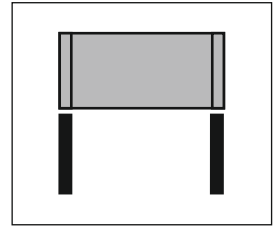


15

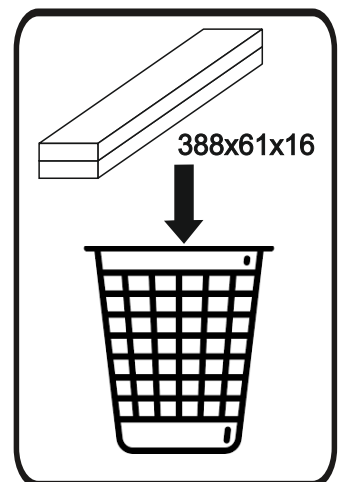
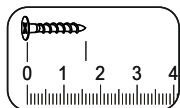
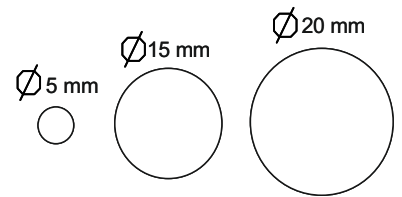
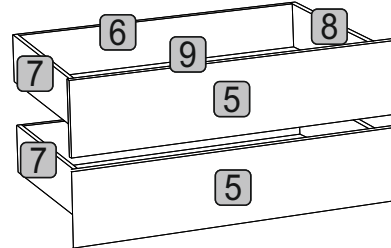
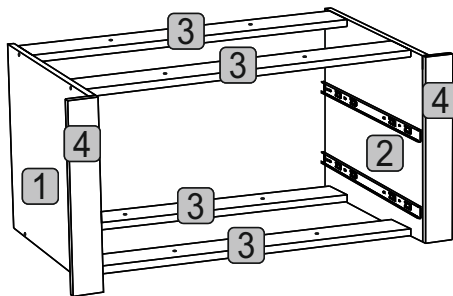
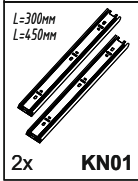
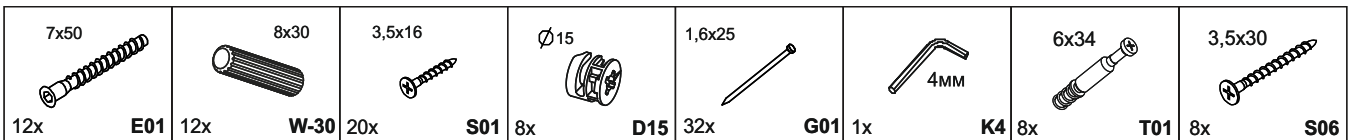


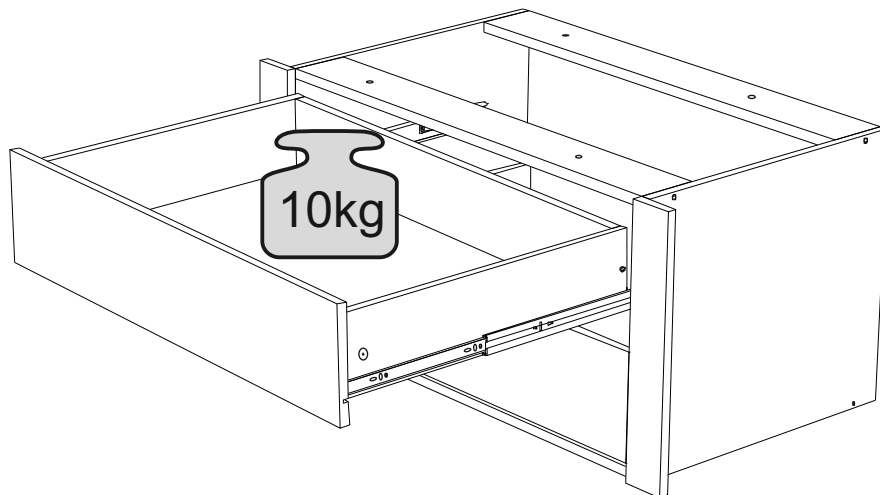
16

3,5x16  38x	S01	L=1100  1x	RP04	8x  8x	PN01
--	-----	---	------	---	------

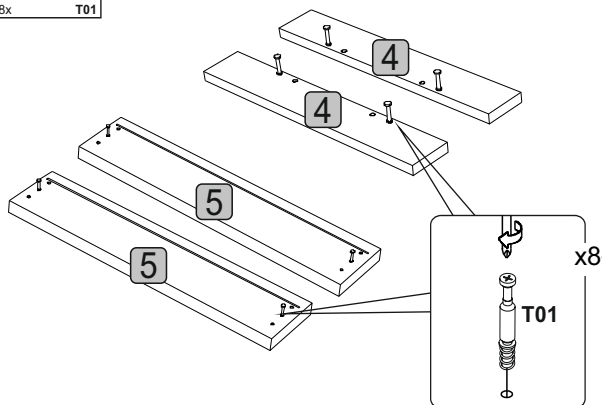


No	↙ 576	↙ 776	↙ 976	↙ 600	Pkg
1	388x455x16	388x455x16	388x455x16	1	6/6
2	388x455x16	388x455x16	388x455x16	1	6/6
3	454x80x16	654x80x16	854x80x16	4	6/6
4	388x41x16	388x41x16	388x41x16	2	2/5
5	446x158x16	646x158x16	846x158x16	2	6/6
6	396x100x16	596x100x16	796x100x16	2	6/6
7	450x100x16	450x100x16	450x100x16	2	6/6
8	450x100x16	450x100x16	450x100x16	2	6/6
9	455x428x3	455x628x3	455x828x3	2	6/6
KN01	L-450	L-450	L-450	2	6/6

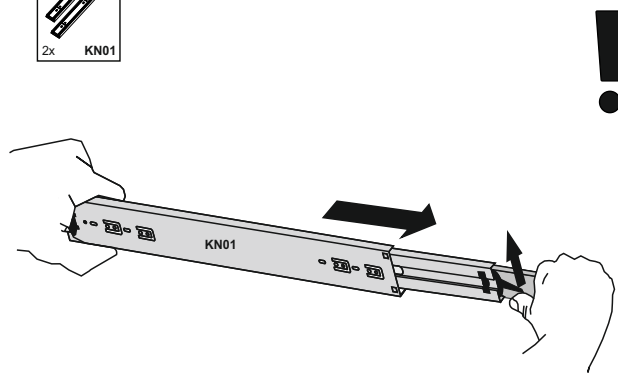




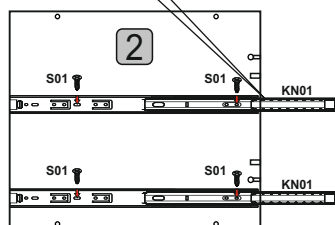
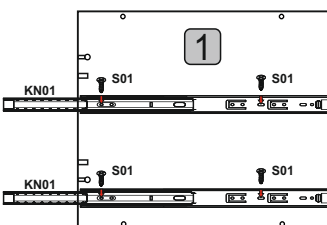
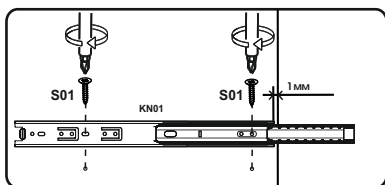
17 6x34
8x T01



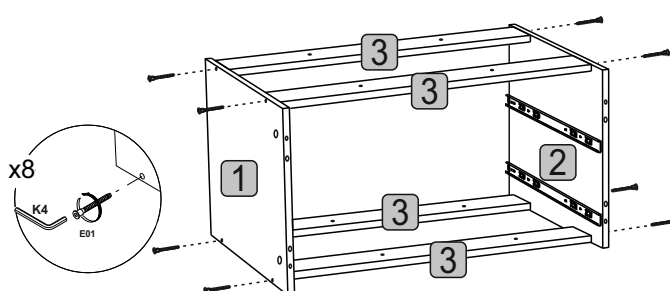
18 L=200mm
L=450mm
2x KN01



19 3,5x16
8x S01
L=200mm
L=450mm
2x KN01



20 7x50
8x E01 1x K4



21

$\varnothing 15$
 4x D15 4x
 8x30
 W-30

22

7x50
 2x E01 1x
 4MM
 K4 4x
 8x30
 W-30

x2

23

$\varnothing 15$
 2x D15

x2

24

1,6x25
 16x G01

x2

25

3,5x16
 4x S01
 L=200mm
 L=450mm
 2x KN01

x2

26

27

3,5x30
 8x S06

x8

28

x2