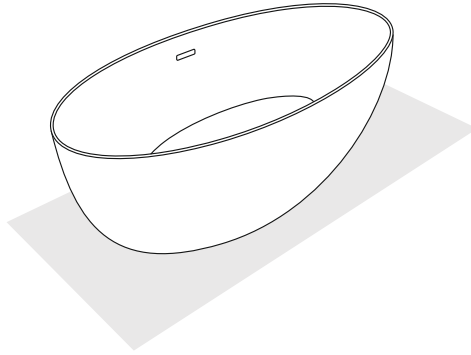


Wellsee

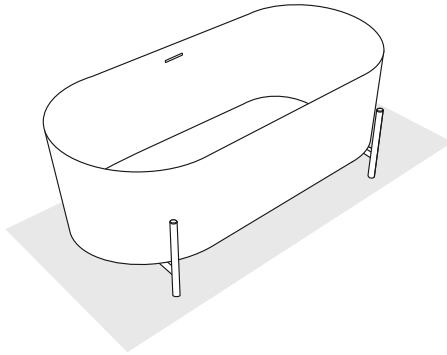
INSTRUCTION

info@wellsee.pl
wellsee.pl

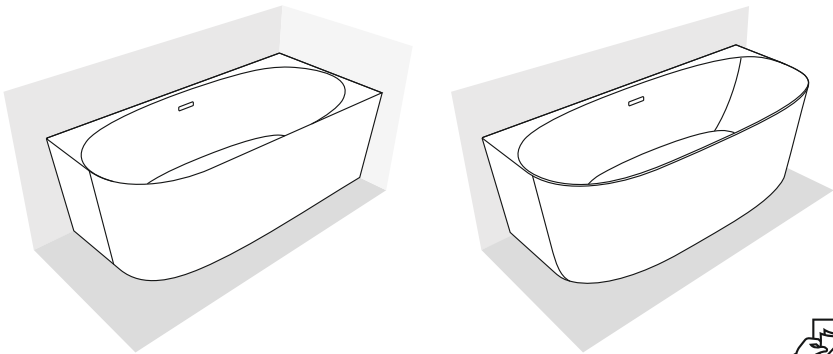
1



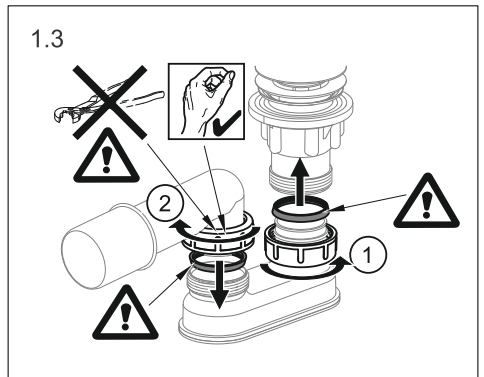
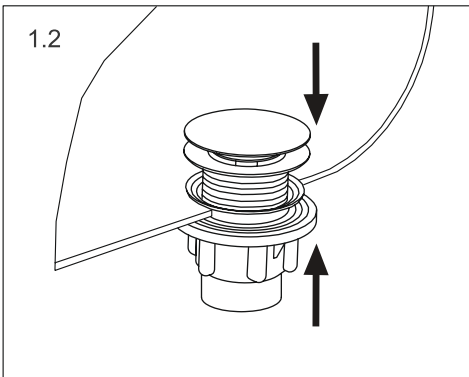
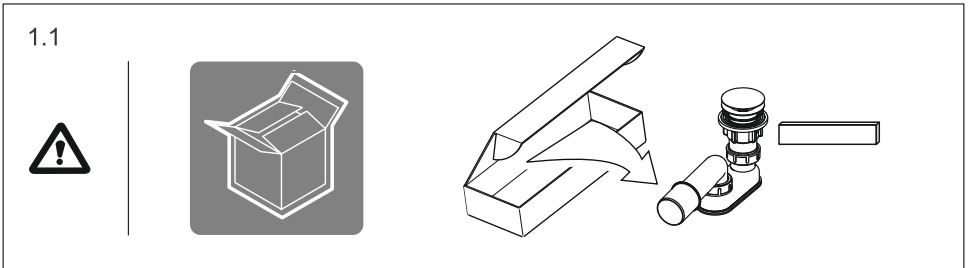
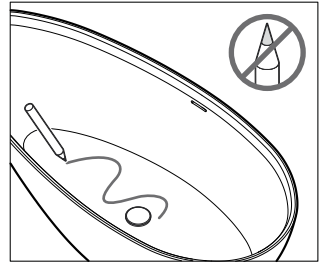
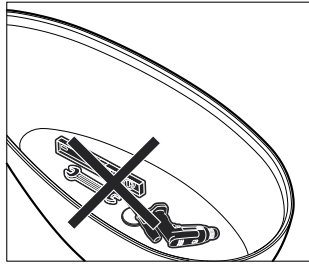
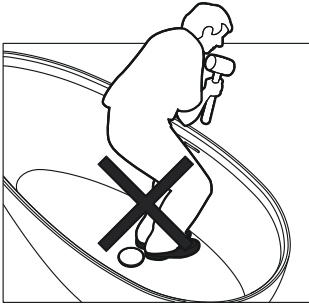
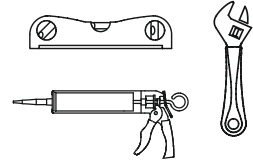
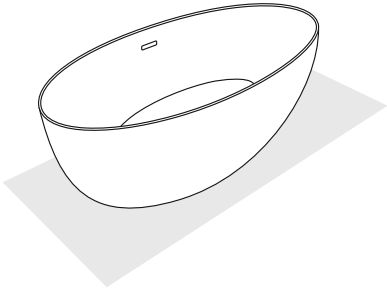
2

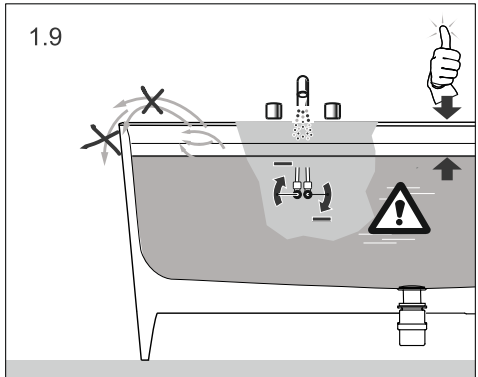
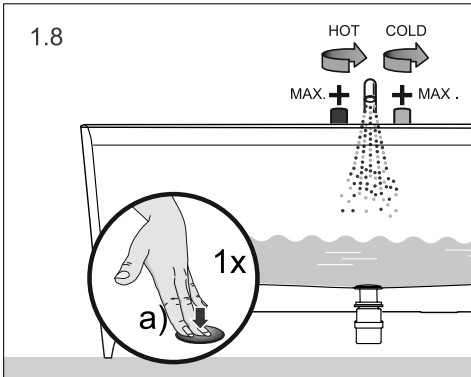
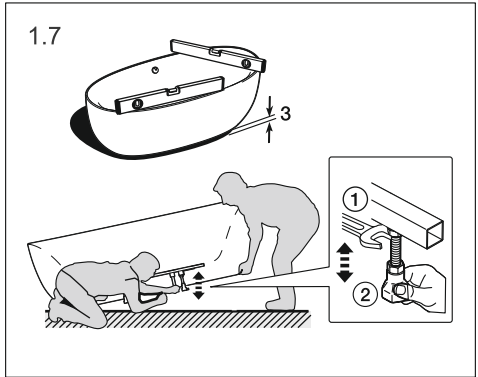
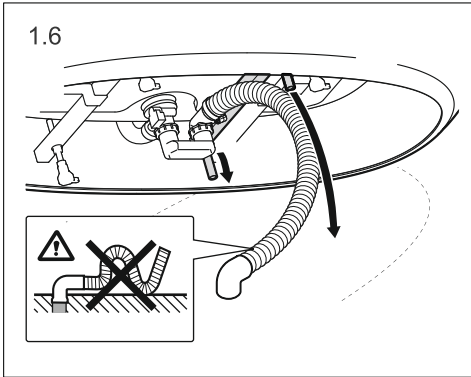
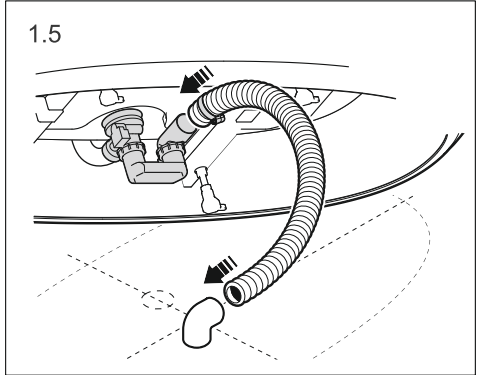
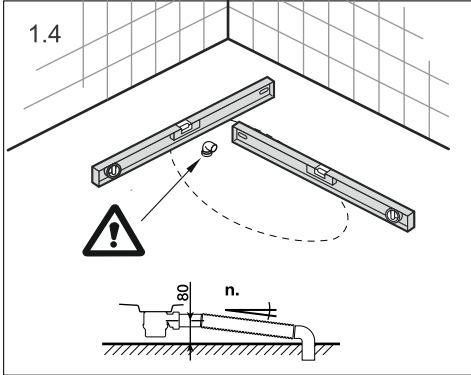
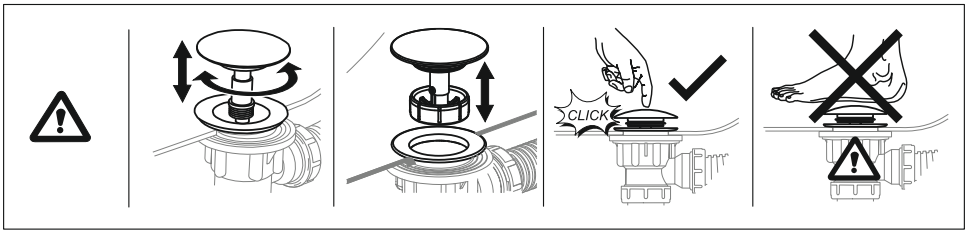


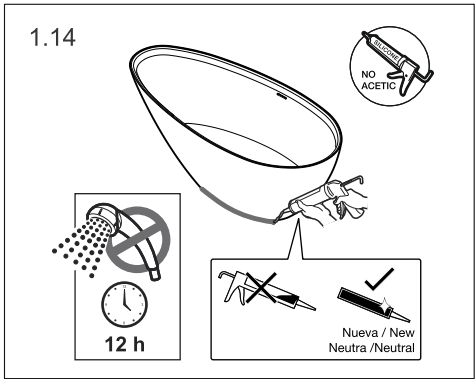
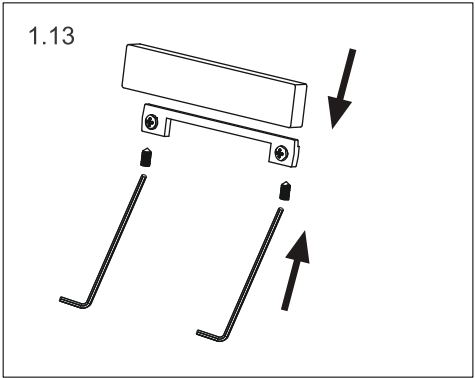
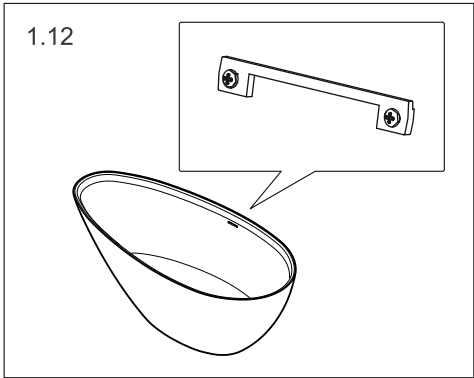
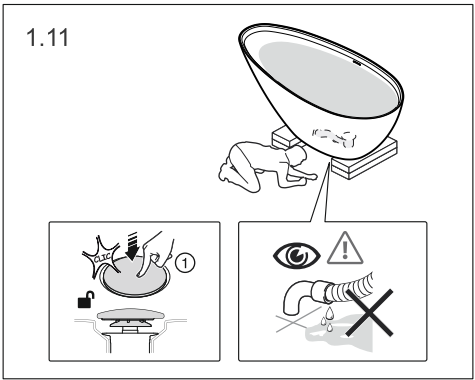
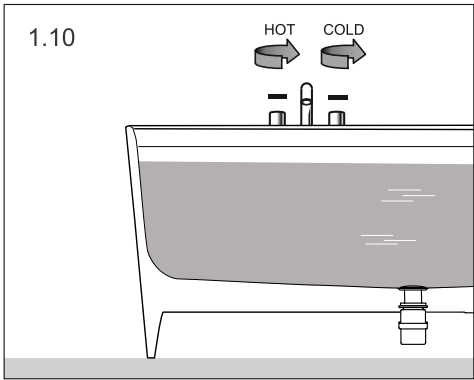
3



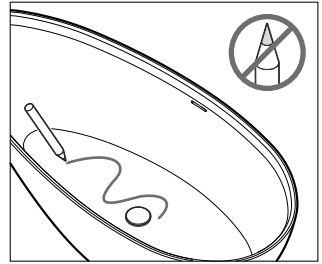
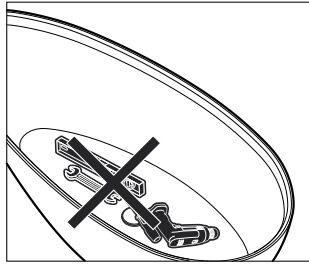
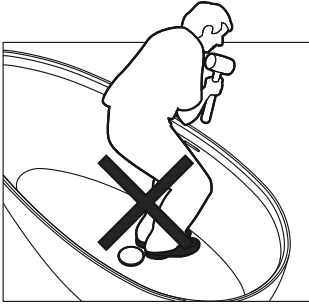
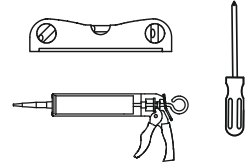
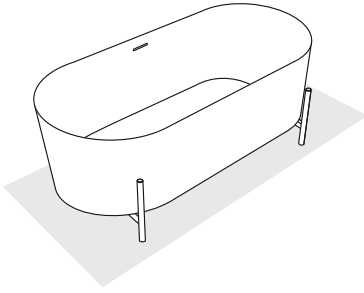
1







2



2.1

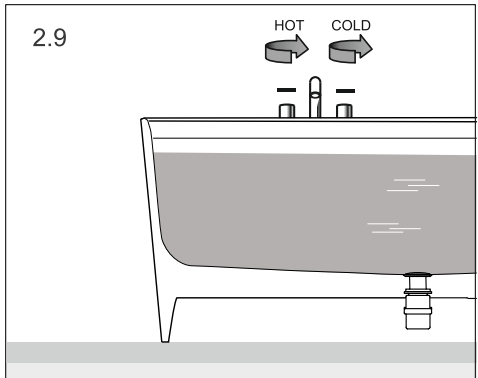
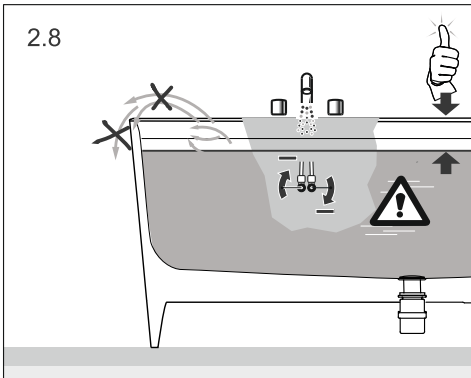
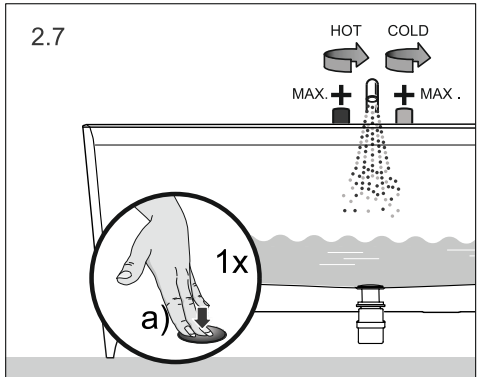
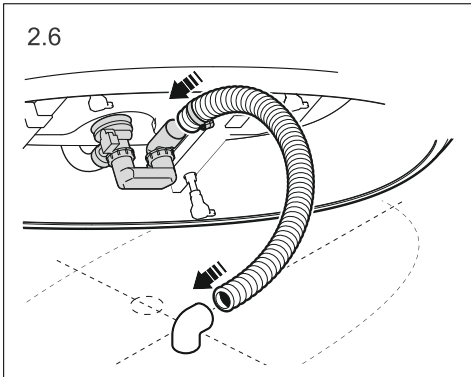
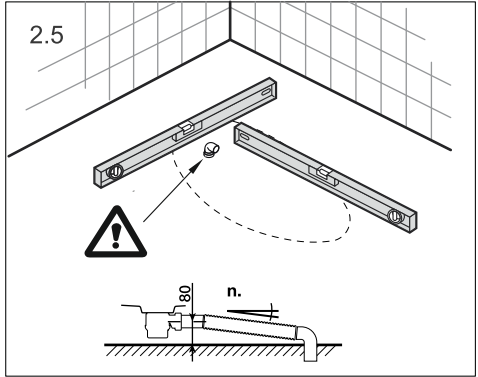
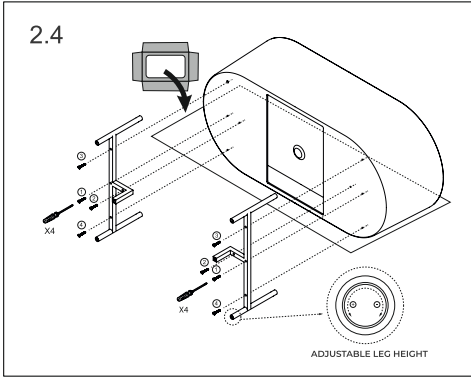
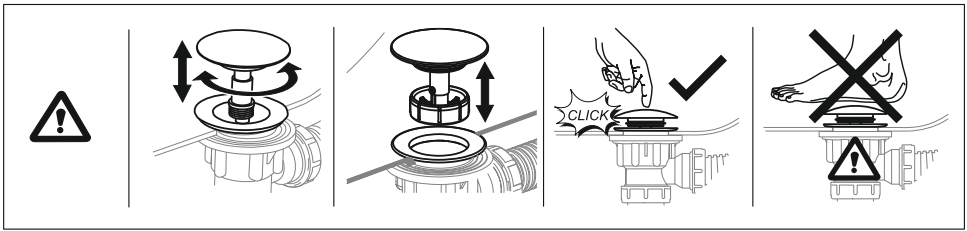
A section containing a warning icon (exclamation mark in a triangle), an icon of an open cardboard box, and an illustration of a utility knife being used to open a box. Next to it is a small cylindrical component and a thin rectangular strip.

2.2

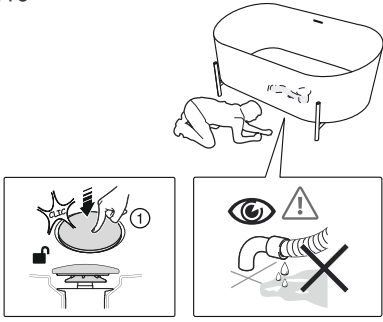
A diagram showing a tub spout being pushed down and then up. Two arrows indicate the direction of movement: one pointing down and one pointing up.

2.3

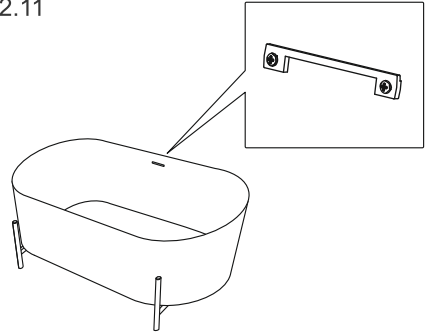
A diagram showing the tub spout assembly. It includes numbered steps: '1' for a circular ring and '2' for a cylindrical cap. There are several warning icons (exclamation marks in triangles) and a checkmark icon with a hand, indicating correct handling.



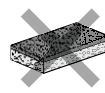
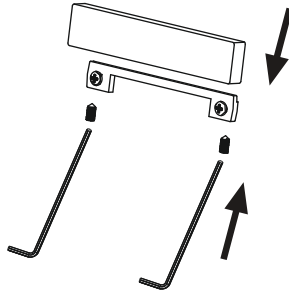
2.10



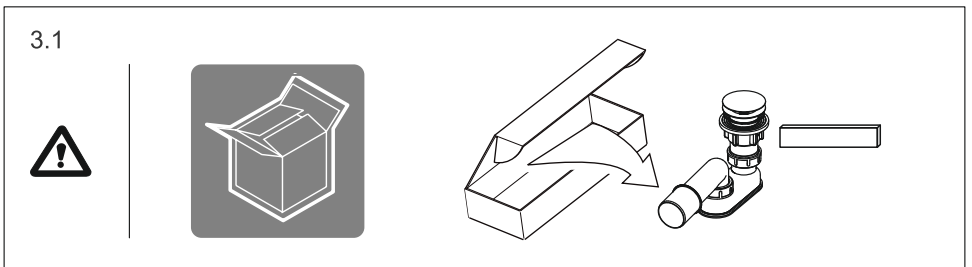
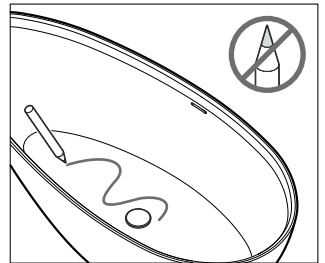
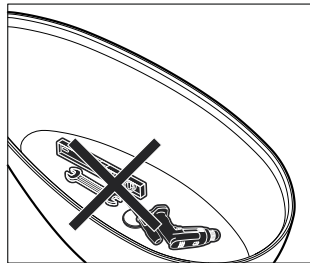
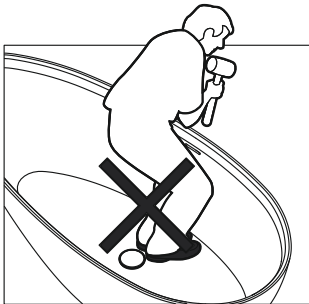
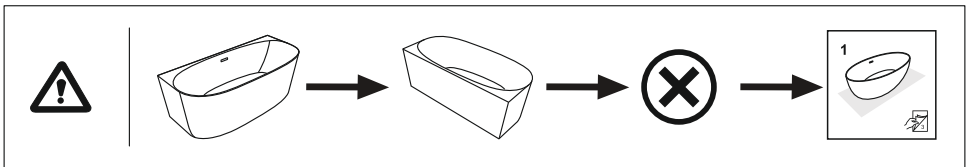
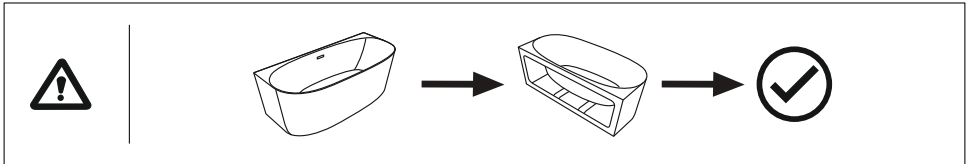
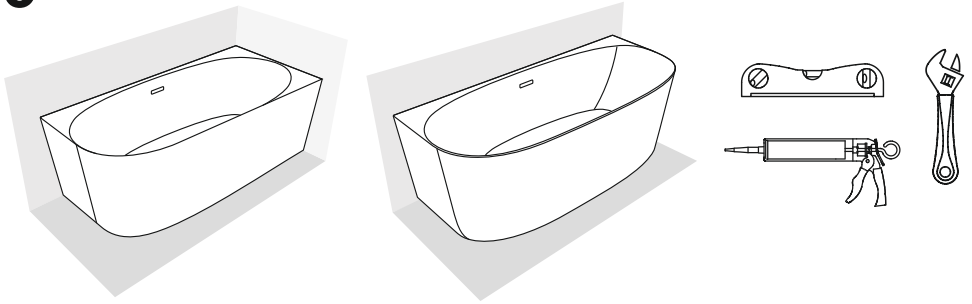
2.11

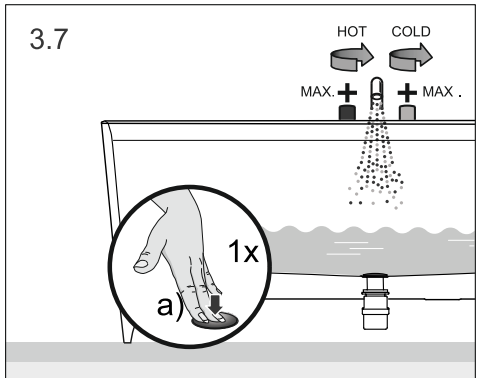
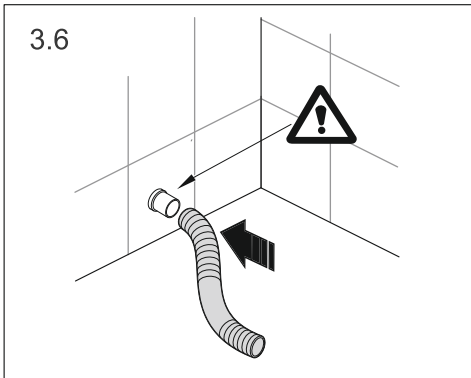
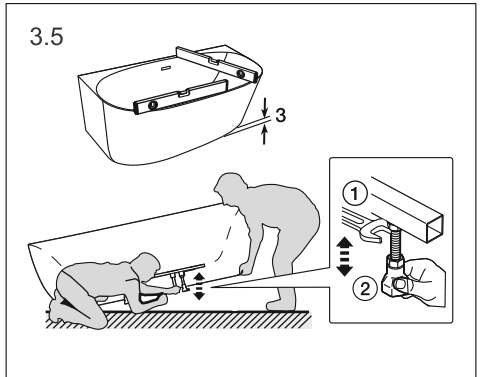
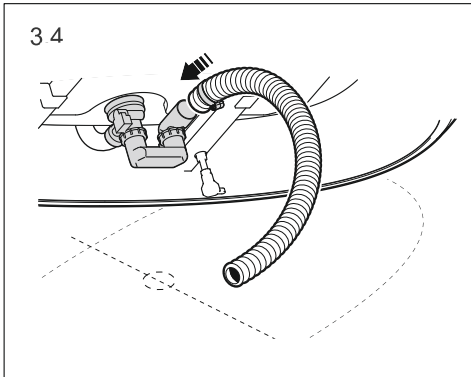
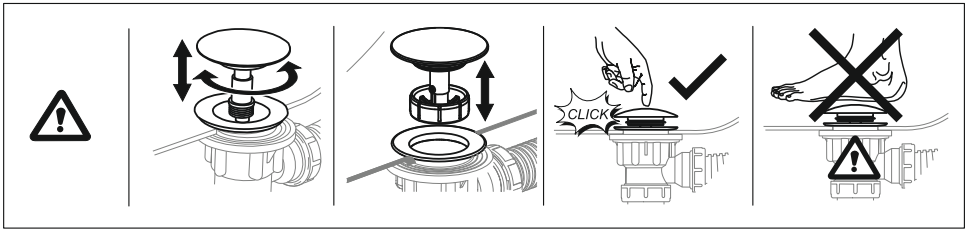
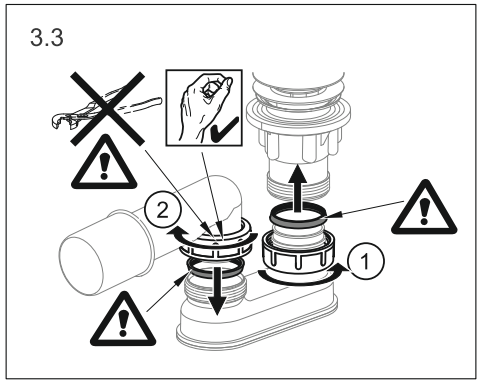
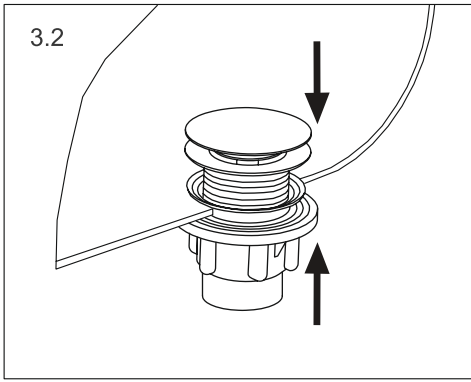


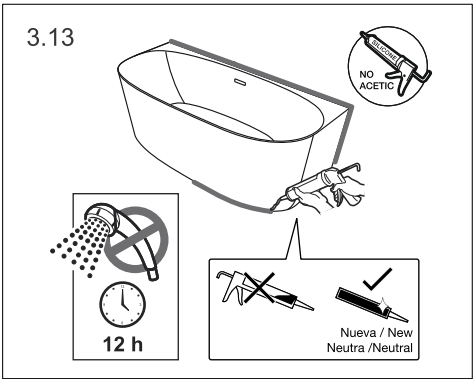
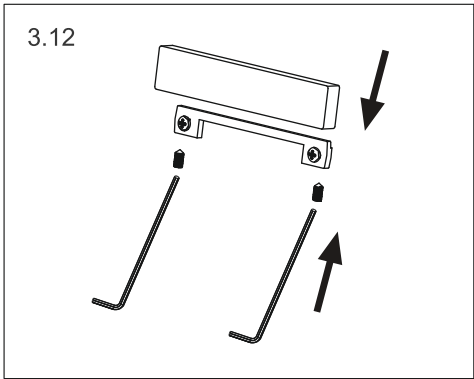
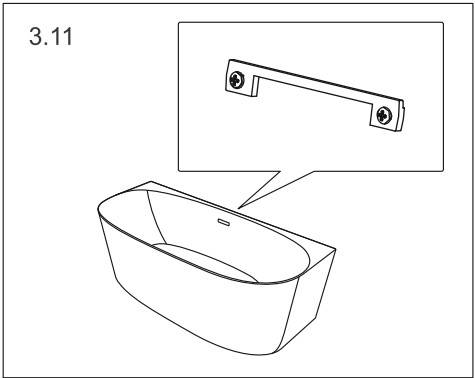
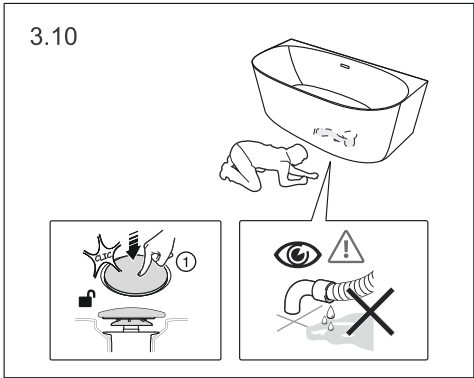
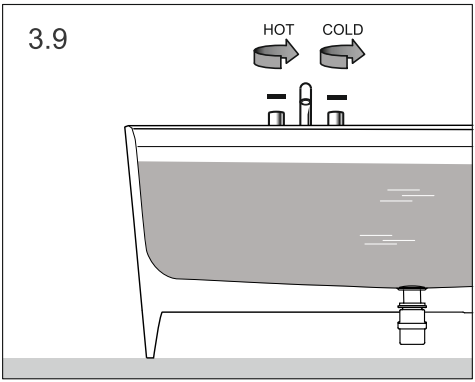
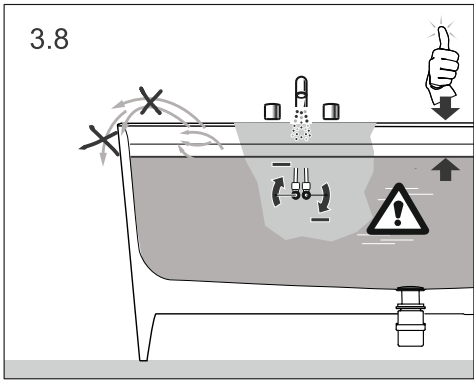
2.12



3







Wellsee

info@wellsee.pl
wellsee.pl

Wellsee

Instruction

